

# eela-audio

Broadcast products

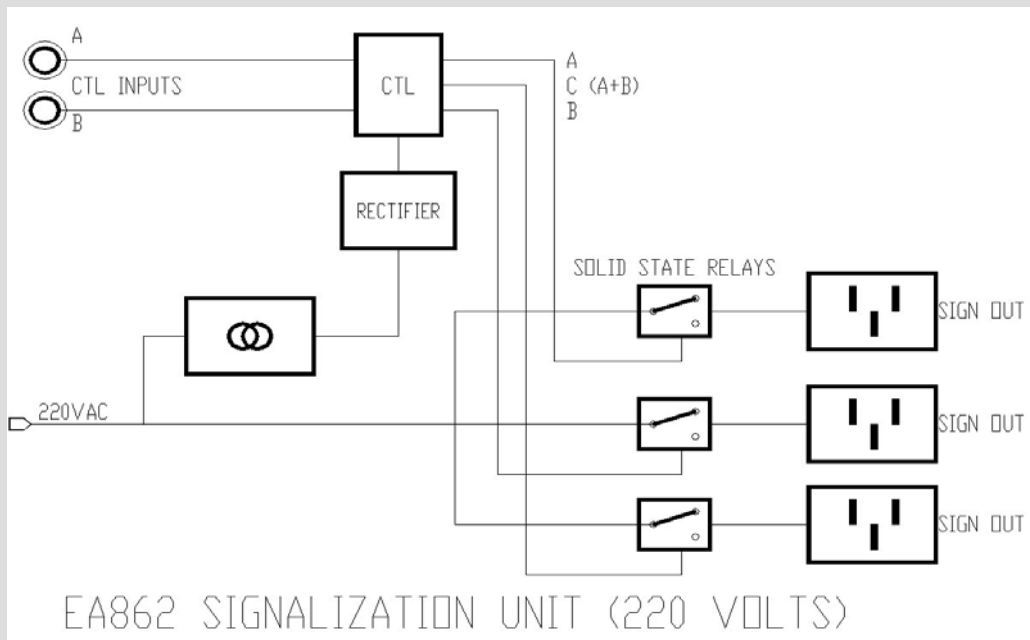
**EA 862**  
Red-light signaling unit 220V



## PRODUCT INFORMATION

Signaling unit for three 220 V mains circuits. This unit can be used in combination with EA illuminated signs. Input A (control room) switches lamp A + C, input B (studio) switches lamp B + C. Max. current for each output is 1 Amp.

Available also: 110V, 1A.  
24V version (EA861).



Please contact your local EA dealer for more information about Eela Audio products.

<http://www.eela-audio.com> e-mail: [sales@eela-audio.com](mailto:sales@eela-audio.com)