

eela-audio

Broadcast products

EA 921
Modulation Limiter

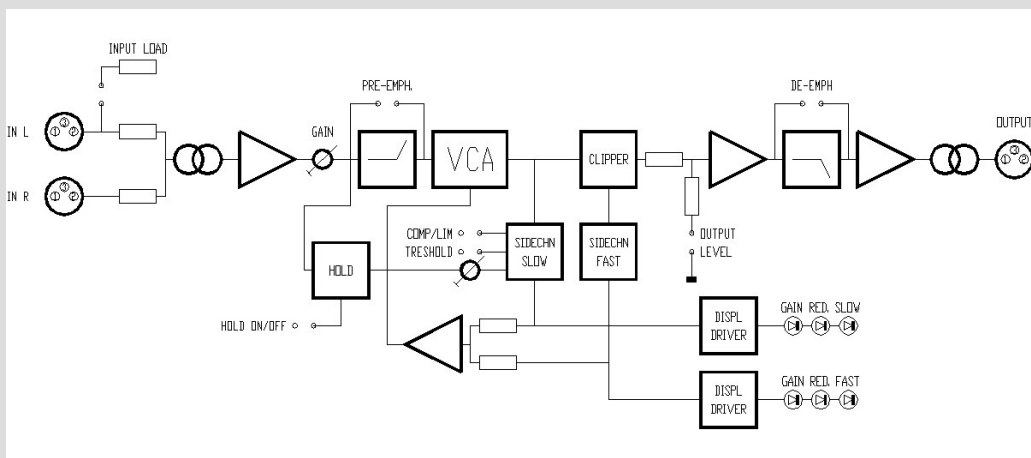


PRODUCT INFORMATION

This unit is made to act as an interface between a stereo mixer and a mono transmitter feed. This transmitter feed uses pre-emphasis corrected safe deviation protection by means of multiple side chain limiting.

The user controls are limited to one trimpot at the front to determine the amount of processing dependant from the character of the signal and the program format.

For use with stereo transmitters, two units can be used with linked side chains.



Please contact your local EA dealer for more information about Eela Audio products.

<http://www.eela-audio.com> e-mail: sales@eela-audio.com