

eela-audio

Broadcast products

EA 927
Distribution Amplifier



PRODUCT INFORMATION

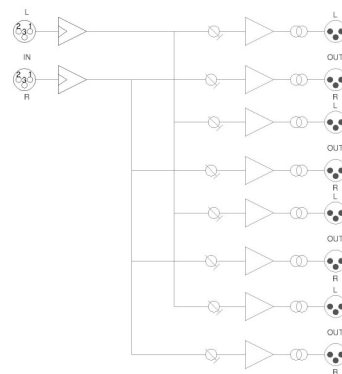
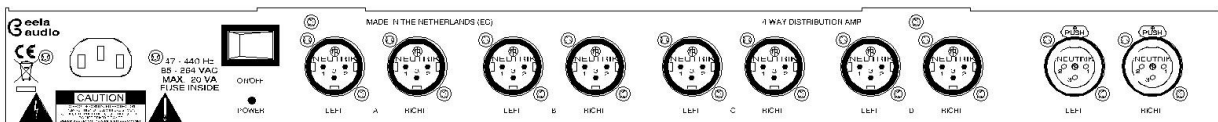
The EA927, distribution amplifier, balanced stereo inputs, 4 balanced stereo outputs.

It comes in 2 versions: EA927/E electronically balanced with premium quality amplifiers.

EA927/T transformer balanced outputs used to isolate signals to prevent ground loop problems.

Both units are 19", 1U, rackmount housing with internal power supply.

Each output is driven by a separate amplifier, the gain for each individual output can be set with trimpots accessible from the rear panel.



EA-927 4-WAY STEREO DISTRIBUTION AMPLIFIER

Mains power supply: wide range system 85 .. 260 Volts AC, 47 .. 440 Hz.

Please contact your local EA dealer for more information about Eela Audio products.

<http://www.eela-audio.com> e-mail: sales@eela-audio.com