

eela-audio

Broadcast products

EA 956/957

6 or 12 way selector/mixer

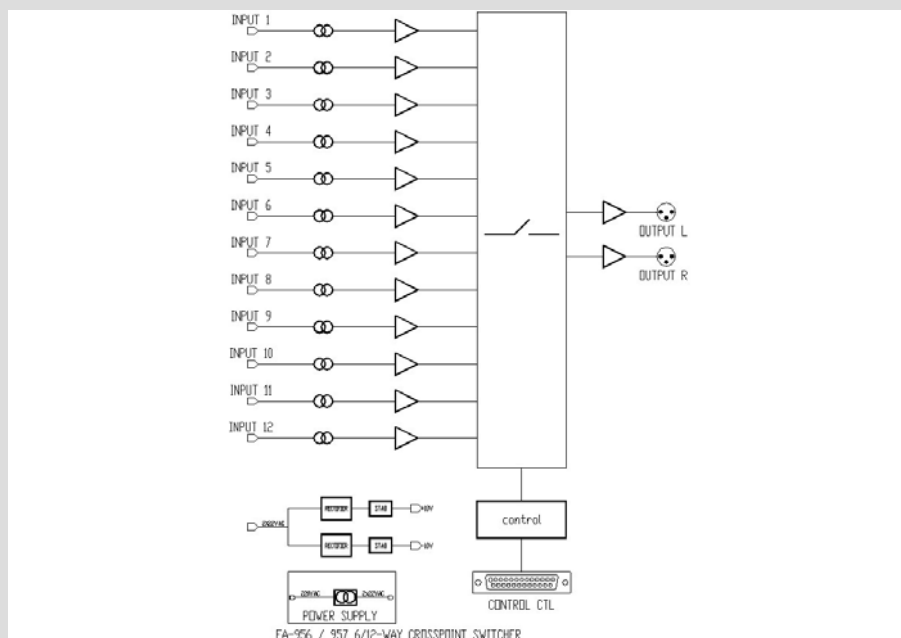


PRODUCT INFORMATION

Mixing matrices EA956 or EA957 in 1 U 19".

Both units can select one or all inputs to the output using DC control lines. It can also be controlled with four BCD coded control lines selecting one input. The inputs are transformer balanced and the outputs are electronically balanced. The EA956 has 6 inputs, while the EA957 has 12 inputs.

The EA700 series meterbridge facility modules offer a range of remote controls for the EA956 and EA957 units.



Please contact your local EA dealer for more information about Eela Audio products.

<http://www.eela-audio.com> e-mail: sales@eela-audio.com